

Flat Top Cap for 80 x 60 Posts.
Flat Top Cap for 80 x 80 Posts.

80 x 60 x 2.0mm Or 80 x 80 x 2.5mm
RHS Securifor 3D Intermediate Post.
Minimum centres : 2543mm
Maximum centres : 2557mm
Average centres : 2550mm

2.515m wide Securifor 3D panels, positioned approx level with the top of the fence posts

Spare Threaded Insert for stepping adjoining panels

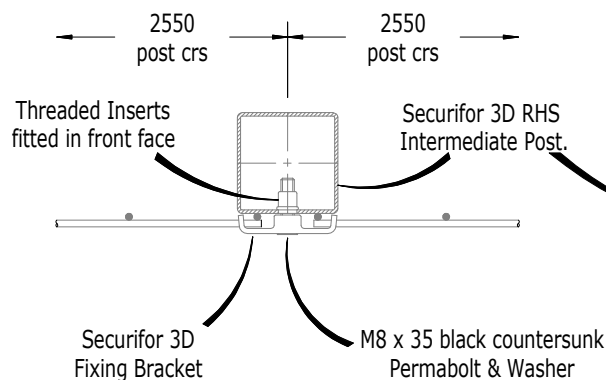
Securifor 3D Fixing Bracket

Securifor 3D Fixing Bracket

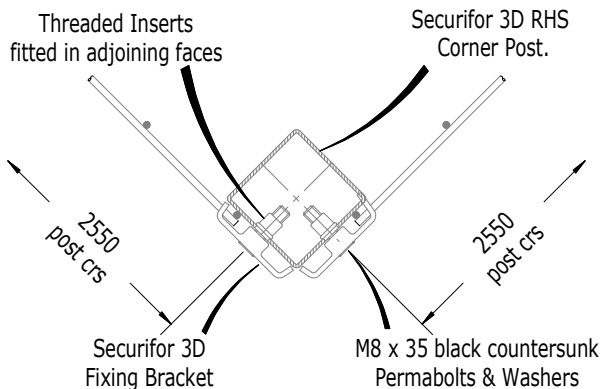
Securifor 3D Fixing Bracket

spare Threaded Insert for stepping adjoining panels

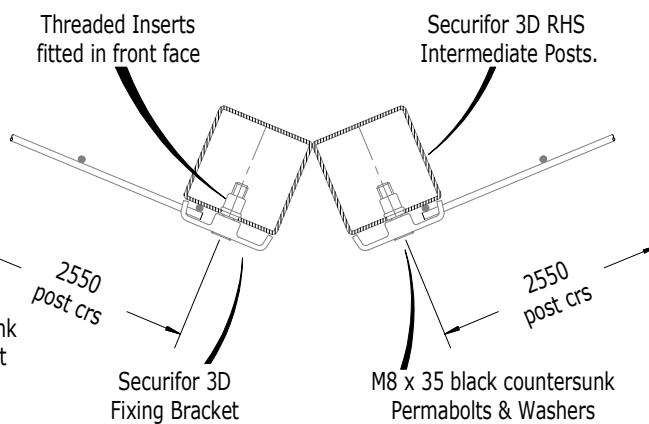
countersunk plastic washer
countersunk Permabolt



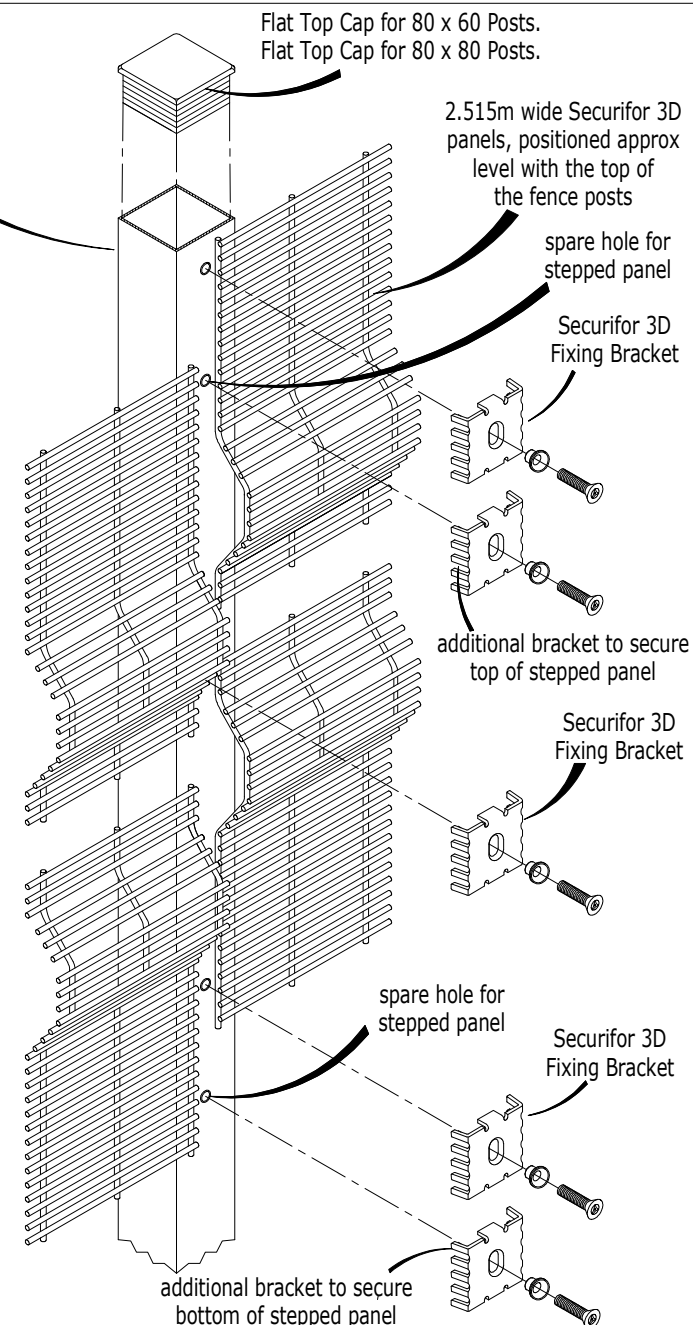
PLAN VIEW ON INTERMEDIATE POST



PLAN VIEW ON 90° CORNER POST



PLAN VIEW ON OBTUSE CORNERS



STEPPING DETAIL FOR SLOPING GROUND

TYPICAL POST AND PANEL FIXING DETAIL

BETA FENCE

sales.sheffield@betafence.com
www.betafence.com

Betafence Limited
P.O. Box 119
Shepcote Lane
UK-Sheffield S9 1TY
P: +44870 127 0027
F: +44870 127 0028

Betafence Ltd. reserves the right to amend and withdraw products detailed herein, without prior notice
COPYRIGHT © 2012
BETA FENCE LTD - SHEFFIELD - ENGLAND

SECURIFOR 3D

Drawn

RB

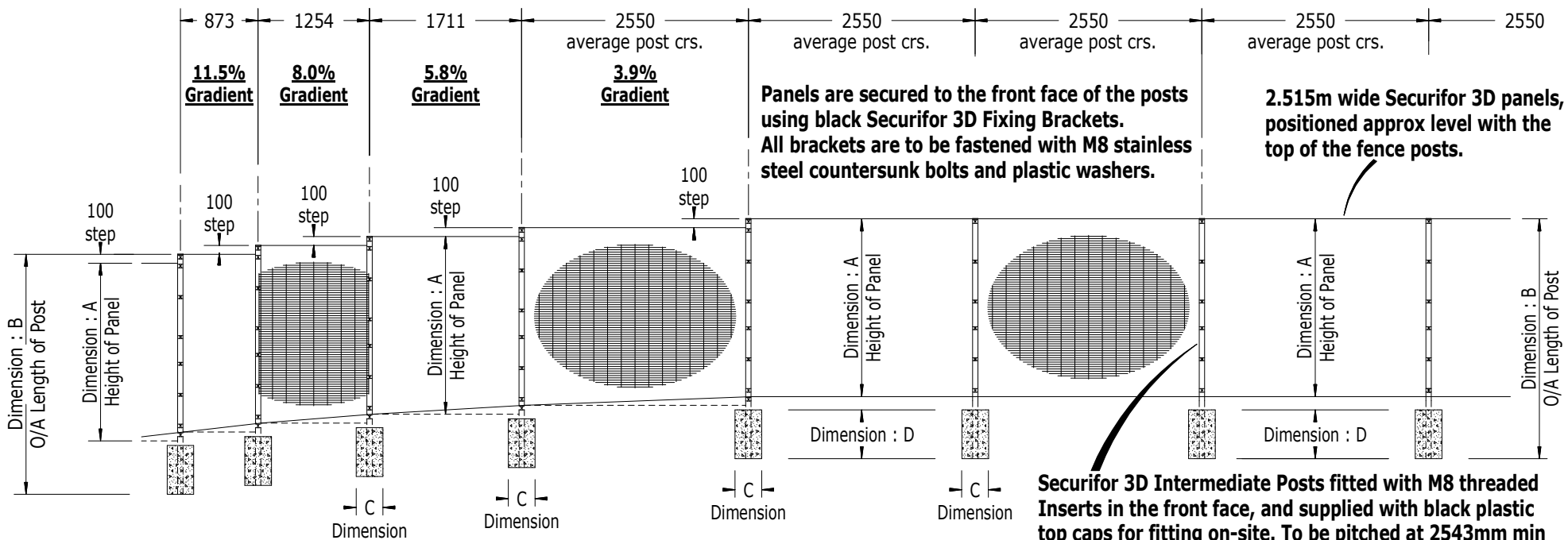
Date

28.09.12

Drawing No :

SEC-3D-B

REV
b



Securifor 3D Intermediate Posts fitted with M8 threaded Inserts in the front face, and supplied with black plastic top caps for fitting on-site. To be pitched at 2543mm min to 2557mm max post centres.

Corner posts

Corner posts are available for Standard 90° external and internal corners. Obtuse corners are achieved using 2no. intermediate posts cast into the same foundation, positioned at the required angle. End posts are not required.

Gradients

All standard Intermediate & Corner posts are fitted with 2no. additional threaded inserts at the top & bottom to facilitate 100mm steps between adjoining panels. Different gradients are achieved by reducing the post centres and width of panel to suit, ie :

- 2515 wide standard panel with 100mm step : 1 in 25.5 (3.9%) (2.25°)
- 1676 wide site-cut panel with 100mm step : 1 in 17.1 (5.8%) (3.35°)
- 1219 wide site-cut panel with 100mm step : 1 in 12.5 (8.0%) (4.55°)
- 838 wide site-cut panel with 100mm step : 1 in 8.7 (11.5%) (6.53°)

Steeper slopes will require made-to-order extra long posts, manufactured with additional threaded inserts to suit the stepping required between adjoining panels to suit each gradient.

Notes

The preferred method of installation is : Post - Panel - Post - Panel, etc. Bolts may be installed using a Power-Driver and Power-Bit if preferred. Care must be taken to avoid over tightening of bolts.

Concrete Foundations must not be leaner by mass than 1 part cement to 10 parts 20mm nominal size graded aggregates, and must be thoroughly compacted prior to the initial set. All Securifor 3D panels are supplied to site in a standard width of 2515mm. Panels for make-up bays are to be cut to suit on site, and made good using a Zinc Etch Primer paint, followed by a top coat of Cromadex 222 polyurethane repair paint.

Dim : A Panel Height	Post Section Size	Dim : B Length Of Post	Dim : C Size Of Found's	Dim : D Depth Of Found's	Fixings Level Ground	Fixings Sloping Ground	Fixings Corner Post
2007mm	80x60x2.0mm	2700mm	300mm	500mm	6no.	8no.	12no.
2413mm	80x60x2.0mm	3100mm	450mm	500mm	7no.	9no.	14no.
2693mm	80x80x2.5mm	3400mm	450mm	500mm	8no.	10no.	16no.
2997mm	80x80x2.5mm	3800mm	500mm	600mm	10no.	12no.	20no.

IMPORTANT NOTE :
The Foundation sizes indicated are for "normal" ground conditions only, & may require modification to suit the prevailing ground conditions on site.

The Securifor 3D fencing system generally satisfies the requirements for Category : 2 (Security) fences and Category : 3 (High Security) fences as prescribed by B.S. 1722 Part : 14 - Open Mesh Steel Panel Fences